

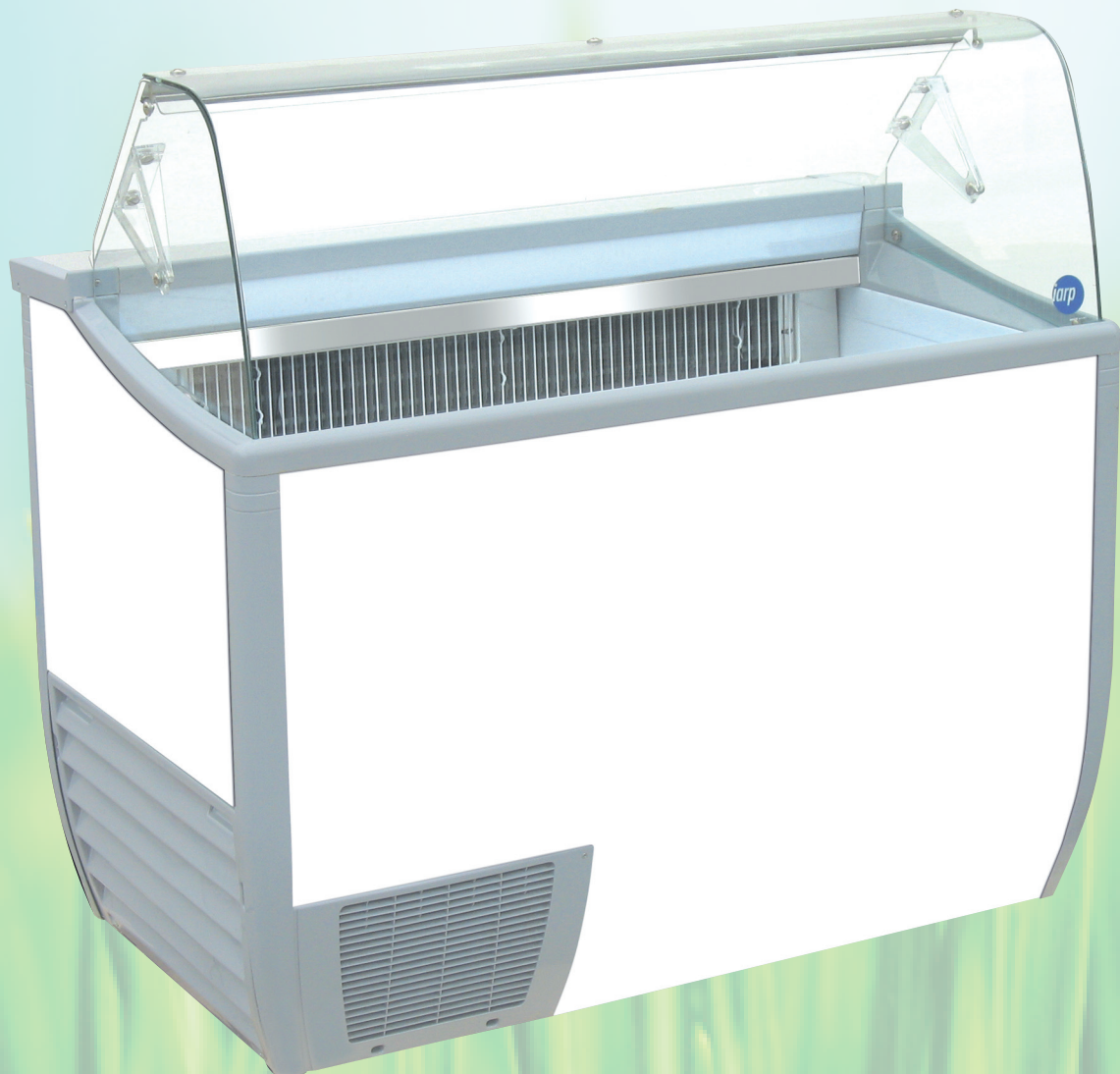


SCOOP ICE-CREAM FREEZER

FENICE

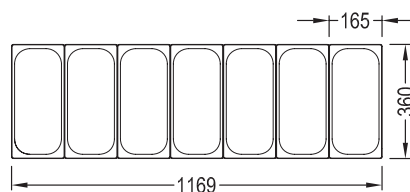
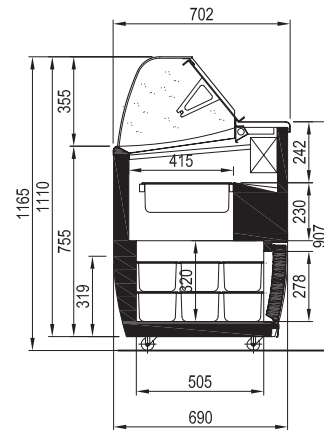
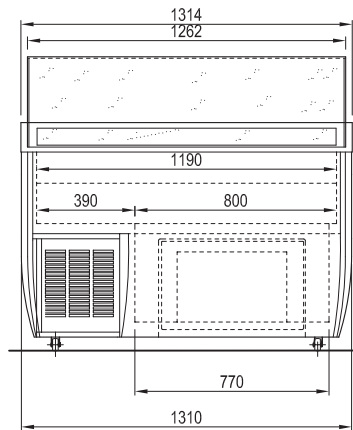
FEATURES INCLUDE:

7 x 5L tub display
12 x 5L tub storage
Curved glass
Castor Wheels

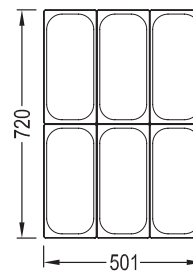


FENICE

SCOOP ICE-CREAM FREEZER



Display Volume:
7 x 5Lt Tubs



Understorage Volume:
12 x 5Lt Tubs
(6 tubs x 2 rows high)

FENICE	118EC
* Operating temp (°C)	-18
Refrigeration	Static
Defrost	Automatic
Power requirements	1ph / 10amp
Nominal power (W)	610
Weight w/o packaging (kg)	136

* Climate class 4 (30°C, 55%/R/H)
5L tubs not included
Other lengths available on request

Information supplied as a guide only and is subject to change without notice.

Head office - WA
6 Parkland Road
Osborne Park WA 6017
Phone 08.9242.5000
Fax 08.9242.5055

Darra - QLD Branch
24 Sudbury Street
DARRA QLD 4076
Phone 07.3715.8812
Fax 07.3715.8867

Bunbury - WA Branch
Unit 2,3 Halifax Drive
BUNBURY WA 6230
Phone 08.9726.0500
Fax 08.9726.0400