

# CRIOCABIN

## ERGO PLUS EP300

SERVE OVER PATISSERIE COUNTER

**FEATURES INCLUDE:**

Curved lift up glass  
2 levels of refrigerated display  
1 level non-refrigerated display  
Rear slide out drawers  
Front glass demister

Canopy lighting inc switch  
Rear perspex slides  
Electronic temperature control  
Castor wheels (optional)

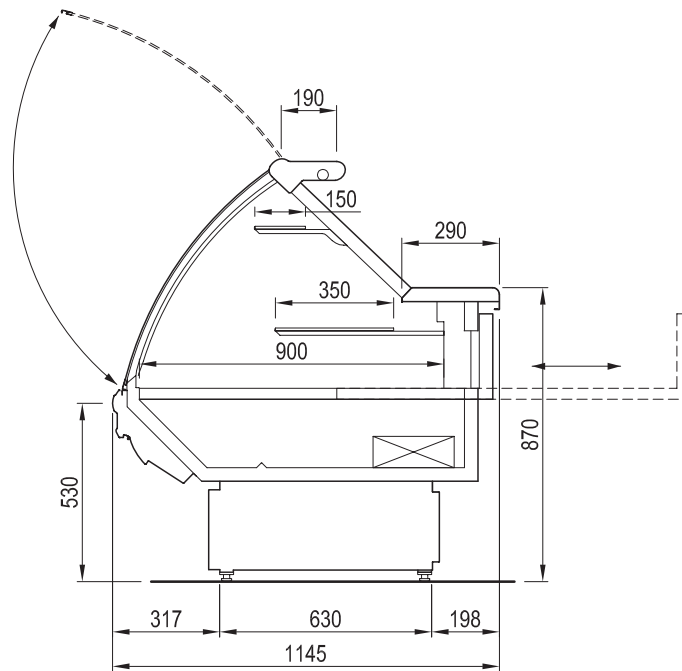


**BAKER**

Visit our Website [www.ajbaker.com.au](http://www.ajbaker.com.au) or email us at [email@ajbaker.com.au](mailto:email@ajbaker.com.au)

## ERGO PLUS EP300

SERVE OVER PATISSERIE COUNTER



| ERGO PLUS EP300                          | 1250        | 1875        |
|--|-------------|-------------|
| * Operating temp (°C)                    | +4/+6       | +4/+6       |
| Refrigeration                            | Ventilated  | Ventilated  |
| Defrost                                  | Automatic   | Automatic   |
| Power requirements                       | 1ph / 10amp | 1ph / 10amp |
| Nominal power (W)                        | 501         | 804         |
| Display area (m2)                        | 0.96        | 1.80        |
| Length w/o endwalls (mm)                 | 1250        | 1875        |
| Endwall thickness (mm)                   | 55          | 55          |
| No. of 800mm wide rear slide-out drawers | 1           | 2           |
| Height w/o castors (mm)                  | 1240        | 1240        |
| Height inc castors (mm)                  | 1320        | 1320        |
| Weight w/o packaging (kg)                | 155         | 230         |

\* Climate class 3 (25°C 60%R/H)

Information supplied as a guide only and is subject to change without notice.

**Head office - WA**  
6 Parkland Road  
Osborne Park WA 6017  
Phone 08.9242.5000  
Fax 08.9242.5055

**Darra - QLD Branch**  
24 Sudbury Street  
DARRA QLD 4076  
Phone 07.3715.8812  
Fax 07.3715.8867

**Bunbury - WA Branch**  
Unit 2,3 Halifax Drive  
BUNBURY WA 6230  
Phone 08.9726.0500  
Fax 08.9726.0400