



# CURL

LOW HEIGHT MULTI-DECK CHILLER

**FEATURES INCLUDE:**

- Single air flow
- 3 levels height adjustable shelves + base (model Curl SV12)
- 4 levels height adjustable shelves + base (model Curl SV14)

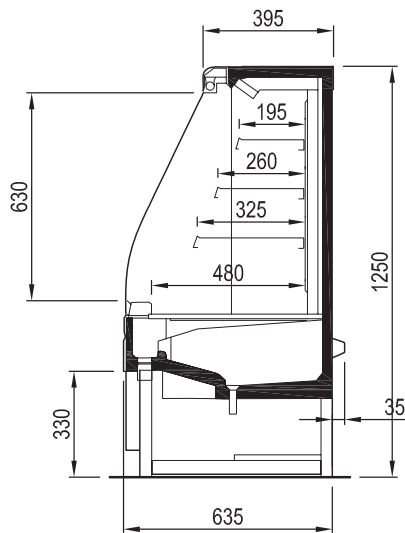
- Canopy lighting inc switch
- Shelf pricing holders
- Electronic temperature control
- Castor wheels



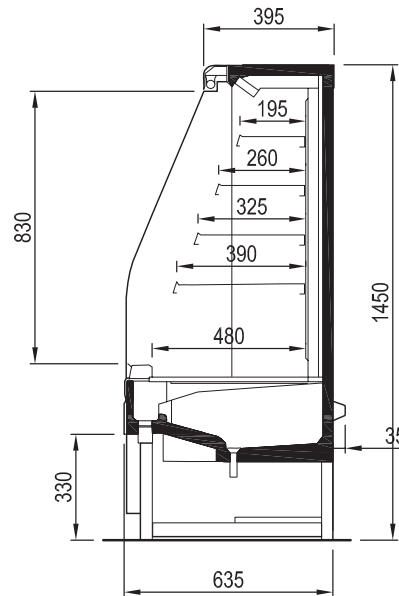
# CURL

## LOW HEIGHT MULTI-DECK CHILLER

CURL SV12



CURL SV14



| CURL                      | SV12        |             | SV14        |             |
|---------------------------|-------------|-------------|-------------|-------------|
|                           | 90          | 120         | 90          | 120         |
| * Operating temp (°C)     | +2/+4       | +2/+4       | +2/+4       | +2/+4       |
| Refrigeration             | Ventilated  | Ventilated  | Ventilated  | Ventilated  |
| Defrost                   | Automatic   | Automatic   | Automatic   | Automatic   |
| Power requirements        | 1ph / 10amp | 1ph / 10amp | 1ph / 10amp | 1ph / 10amp |
| Nominal power (W)         | 980         | 1070        | 1880        | 1970        |
| Display area (m2)         | 0.54        | 0.72        | 0.72        | 0.96        |
| Length (mm)               | 950         | 1280        | 950         | 1280        |
| Height w/o castors (mm)   | 1250        | 1250        | 1450        | 1450        |
| Height inc castors (mm)   | 1355        | 1355        | 1555        | 1555        |
| Weight w/o packaging (kg) | 120         | 155         | 130         | 165         |
| M.E.P.S. rating           | 3M2         | 3M2         | 3M2         | 3M2         |

\* Climate class 3 (25°C 60%R/H)

Information supplied as a guide only and is subject to change without notice.

**Head office - WA**  
6 Parkland Road  
Osborne Park WA 6017  
Phone 08.9242.5000  
Fax 08.9242.5055

**Darra - QLD Branch**  
24 Sudbury Street  
DARRA QLD 4076  
Phone 07.3715.8812  
Fax 07.3715.8867

**Bunbury - WA Branch**  
Unit 2,3 Halifax Drive  
BUNBURY WA 6230  
Phone 08.9726.0500  
Fax 08.9726.0400