

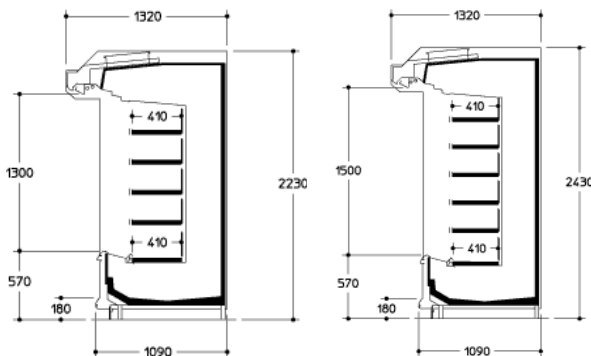
BAKER

REFRIGERATION AIR CONDITIONING

BONNET NEVE (part of the EL.FI. Cold group) are a world leader in commercial refrigeration offering innovation, performance, reliability, and versatility in their range of refrigerated cabinets.

The **ARCADE II** model is a multi-deck open style low-temp cabinet suitable for the display of all types of frozen-food products. The innovative triple air screen feature greatly minimises air spillage thus reducing energy costs and enabling the product to be kept at its optimum condition.

Available in three lengths.



ARCADE II

ARCADE II R

ARCADE II

Supermarket Refrigeration



AUSTRALIAN DISTRIBUTOR: A.J. Baker & Sons Pty. Ltd.

HEAD OFFICE:

6 Parkland Rd, Osborne Park, W.A. 6017. AUSTRALIA

Telephone: 08 9242 5000 Facsimile: 08 9242 5055

Email: email@ajbaker.com.au

...Visit our website: www.ajbaker.com.au