

# S-Series 422 Ice Cube Machine



S-Series 422  
Ice Machine on B-420 Bin

- 
- SANITATION**  
We've made it simple to clean
  - SAVINGS**  
The perfect balance of power and efficiency
  - SOUND**  
Designed to run whisper-quiet
  - SERVICEABILITY**  
Easy access means less downtime
- 

- Up to 460 lbs. (209 kgs.) daily ice production
- Up to CEE Tier 2 energy and water efficiency rating.
- Only 22" (55.88 cm) wide
- Removable water distribution tube with no tools
- Food zone designed with soft, round, cove corners
- Patented cleaning and sanitizing technology
- Select components made with AlphaSan® antimicrobial

- Hinged front door for easy access
- Warranty
  - 5-year parts and 5-year labor coverage on ice machine evaporator
  - 5-year parts and 3-year labor coverage on ice machine compressor
  - 3-year parts-and-labor coverage on all other ice machine, dispenser, and storage bin components

**CEE**  Energy Efficiency Ratings Specified on Back

**America's #1 Selling Ice Machine**

Ice Cube & Flake Machines • Ice Storage Bins • Ice Dispensers



# Manitowoc S-Series 422

Model	Ice Shape	Ice Production 24 hours				Power kWh/100 lbs.	CEE* Rating
		70°/50°		90°/70°			
		lbs.	kgs.	lbs.	kgs.		
SY-0424A	half-dice	460	209	355	161	6.5	Tier 1
SY-0425W	half-dice	435	197	370	168	5.1	Tier 2
SD-0422A	dice	430	195	320	145	7.1	Tier 1
SD-0423W	dice	430	195	370	168	5.4	Tier 1

Water usage/100 lbs./45.4 kgs. of ice  
Potable Water: 18 gallons, 68 liters • Water-cooled Condenser: 153 gallons, 579 liters

Order ice storage bin separately. \*A or W following model number indicates "Air" or "Water" condensing unit.

**Consortium for Energy Efficiency (CEE)** is a North American nonprofit organization that promotes energy-efficient products, technologies and services; also the principal entity for the development of ice maker efficiency standards.



Certified in Accordance with ARI Automatic Commercial Ice-Cube Machines (Batch-Type) Certification Program, which is based on ARI Standard 810

## Ice Machine Electric

115/60/1 standard. (208-230/60/1 and 230/50/1 also available.)

**Min. circuit ampacity:** Air-cooled: 13.6 amps  
Water-cooled: 12.9 amps

**Max. fuse size:** Air-cooled and Water-cooled: 20 amps  
HACR-type circuit breakers can be used in place of fuses.

## Specifications

**BTU Per Hour:**  
7,000 (average) 9,600 (peak)

**Compressor:**  
Nominal rating: 3/4 HP

**Cupra-Nickel Condenser:**  
(Water-cooled models)  
Adds protection from corrosive water elements.

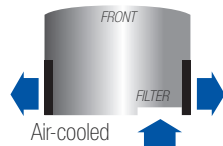
**Operating Limits:**  
• Ambient Temperature Range:  
Air and water:  
35° to 110°F (1.6° to 43.3°C)

• Water Temperature Range:  
35° to 90°F (1.6° to 32.2°C)

• Water Pressure Ice Maker  
Water In:  
Min. 20 psi (137.9 kPa)  
Max. 80 psi (551.1 kPa)

• Condenser Inlet Water In:  
(Water-cooled only)  
Min. 20 psi (137.9 kPa)  
Max. 150 psi (1,034.2 kPa)

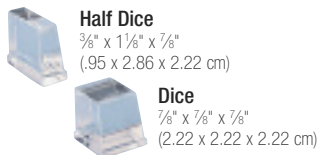
## Air Flow Top View



## AUCS@SO Accessory

Automatic Cleaning System purchased as an option and installed in the field.

## 2 Cube Sizes Available



## Space-Saving Designs



	S-422 B-420	S-422 B-400*
Height	76.50" 194.31 cm	64.50" 163.93 cm
Width	22.00" 55.88 cm	30.00" 76.20 cm
Depth	34.00" 86.30 cm	34.00" 86.30 cm
Bin Storage	310 lbs. 140.7 kgs.	290 lbs. 131.7 kgs.

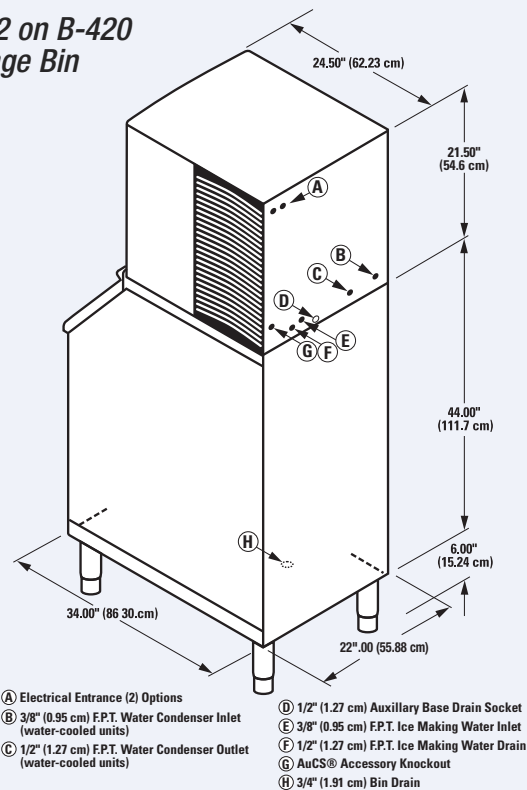
Height includes adjustable bin legs 6.00" to 7.00", (15.24 to 17.78 cm) set at 6.00" (15.24 cm). For comparison purposes multiply ARI capacity by 1.3 (30%) to arrive at approximate "Application Rating Capacity."

\* K-00141 bin adapter required.

24-HOUR PRODUCTION †								lbs. kgs.		
	HALF-DICE CUBE				DICE CUBE					
	air temp		water temp		air temp		water temp			
	°F	°C	°F	°C	°F	°C	°F	°C		
AIR-COOLED	70°	21°	460	209	355	161	430	195	320	145
	21°	70°	420	191	170	70°	430	395	355	
	80°	27°	380	172	157	80°	400	360	325	
	90°	32°	355	161	141	90°	360	320	300	
	WATER-COOLED	70°	21°	435	197	159	70°	430	385	345
		21°	70°	390	179	157	21°	195	175	157
		80°	27°	390	177	157	80°	420	380	340
		90°	32°	370	172	154	90°	410	370	335
32°		191	168	154	32°	186	168	161		

†Data is published for 60 Hz machines. 50 Hz machines produce approximately 7% less ice.

## S-422 on B-420 Storage Bin



**Installation Note** - Minimum installation clearance— Top/sides: 8" (20.32 cm); Back: 5" (12.7 cm).



Look for the EnergyMizer™ mark and you'll know you're getting the most from every energy dollar spent on food service equipment. [www.energymizer.com](http://www.energymizer.com)



MANITOWOC ICE, INC.  
2110 South 26th Street, P.O. Box 1720  
Manitowoc, WI 54221-1720, USA  
Ph: 920-682-0161 • Fax: 920-683-7589  
Visit us online at [www.manitowocice.com](http://www.manitowocice.com)

